

PARTS LIST

TPP2630

CONTENTS

| | |
|--------------------------------|----|
| 1. PARTS KIT | 1 |
| 2. MAIN BODY | 3 |
| 3. PRUNER HEAD | 5 |
| 4. ENGINE | 7 |
| 5. CARBURETOR, FUEL TANK | 11 |
| 6. ACCESSORIES | 13 |

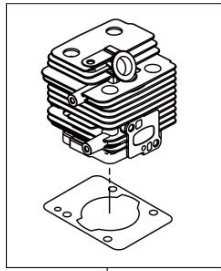
2021. 10.



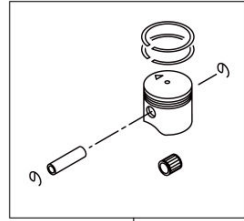
MARUYAMA

P/N 524201-8

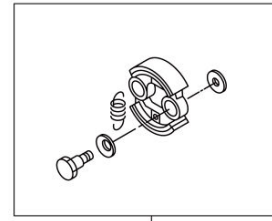
TPP2630
1. PARTS KIT



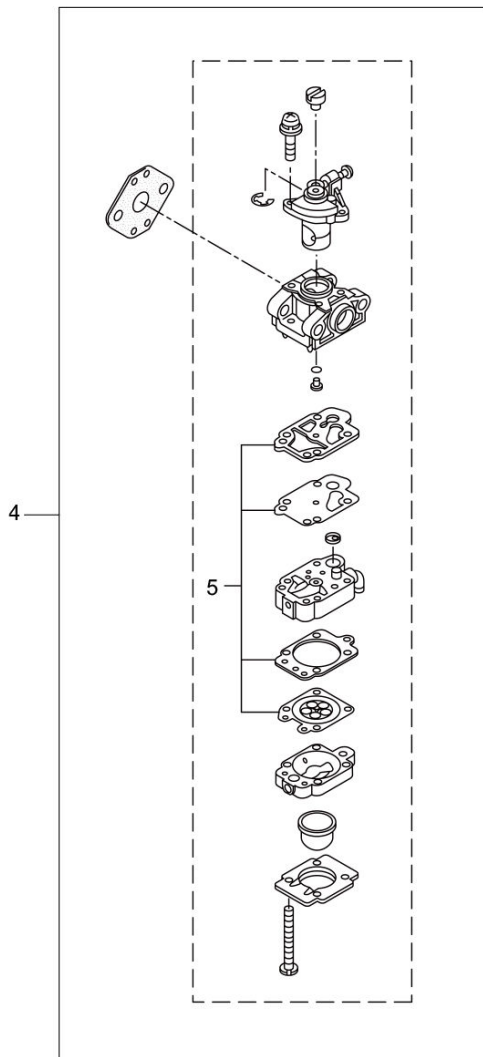
1



2



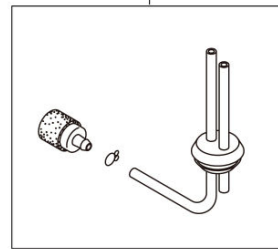
3



4

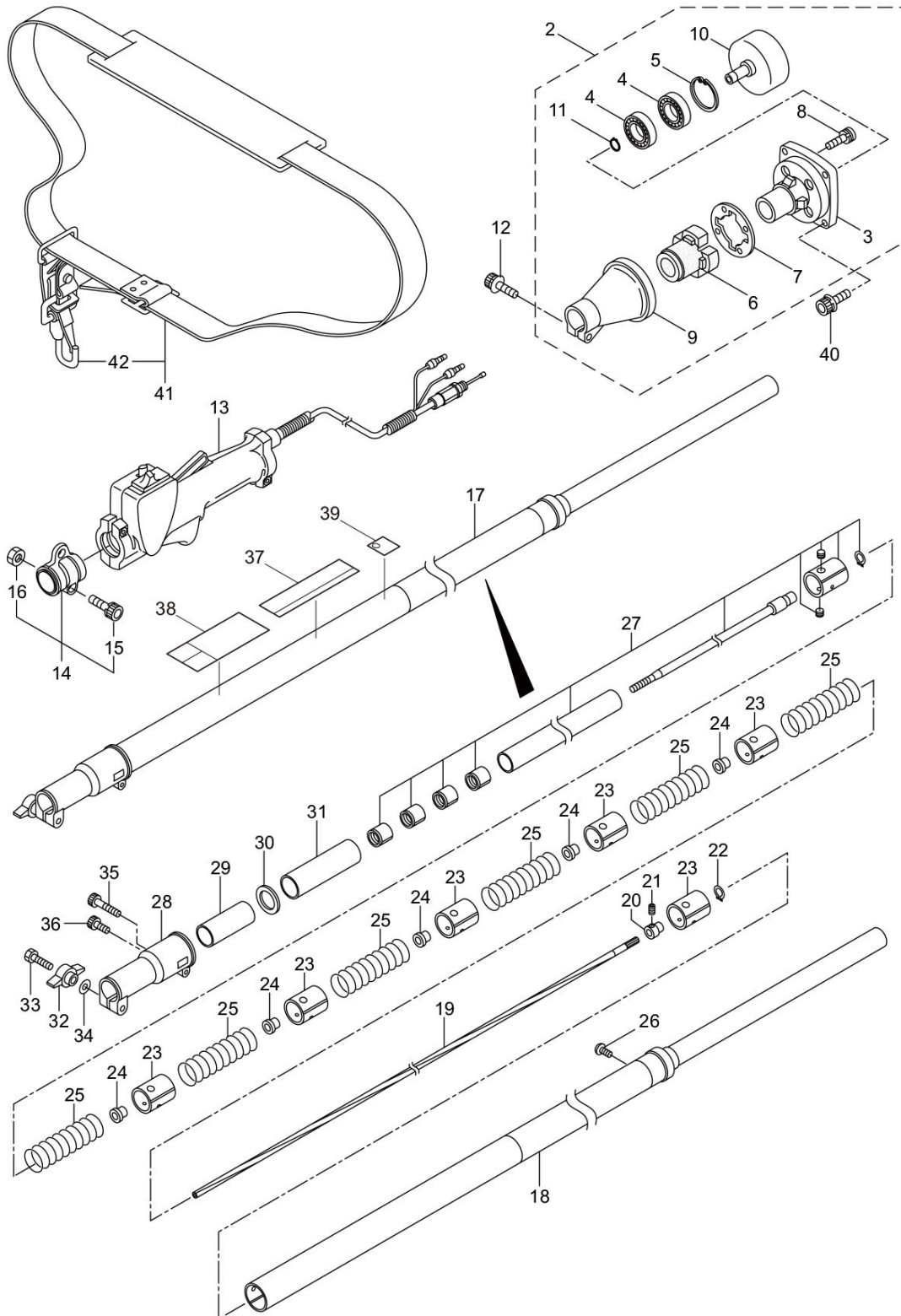
5

6



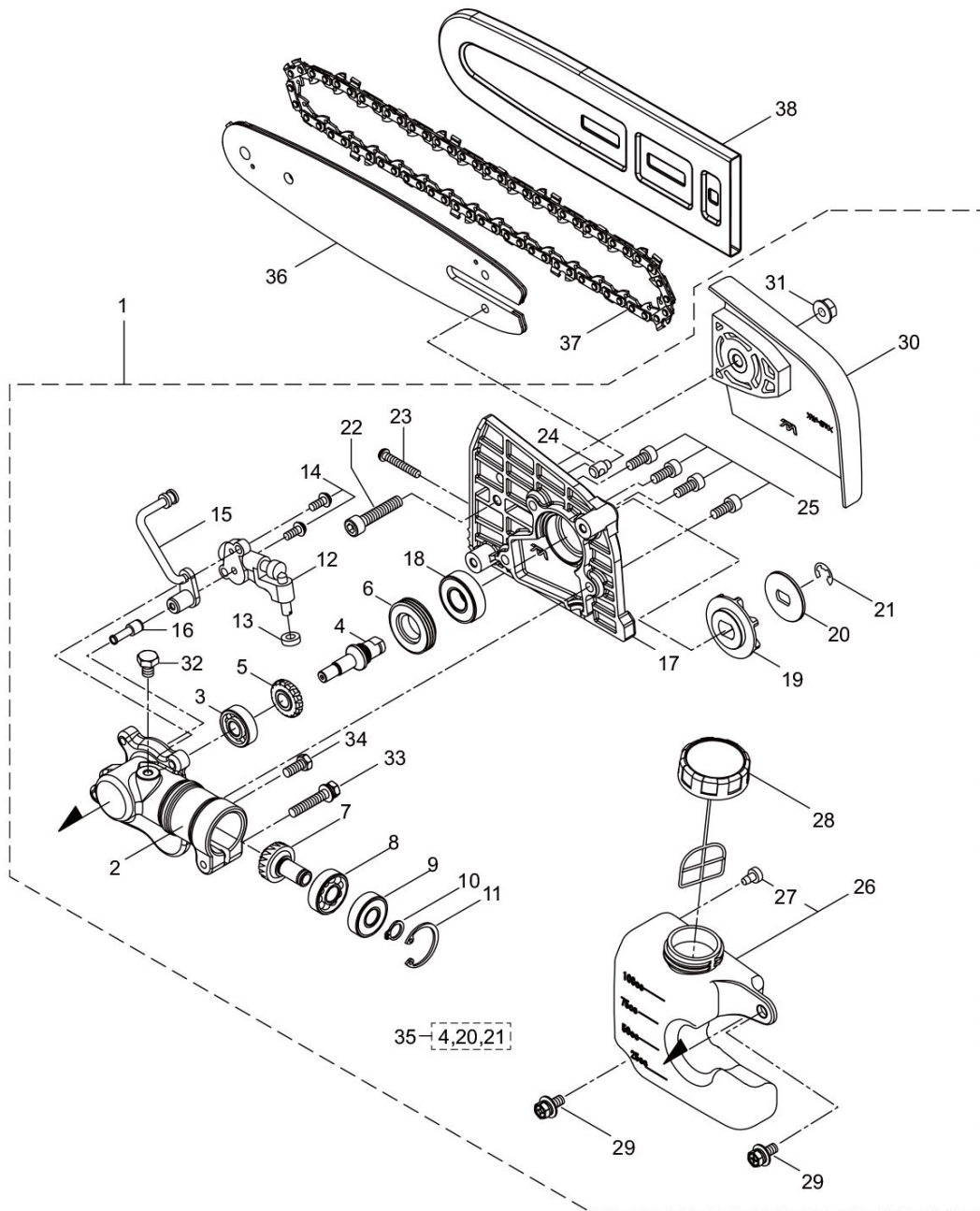
| Status | Position | Parts Number | Parts Name | Unit Quantity | Lot Order Quantity | Remarks | | Maker code |
|--------|----------|--------------|-------------------------|---------------|--------------------|---------|--|------------|
| | 1 | 247688 | CYLINDER KIT | 1 | | | | |
| | 2 | 247689 | PISTON KIT | 1 | | | | |
| | 3 | 246919 | CLUTCH KIT | 1 | 5 | | | |
| | 4 | 248508 | CABURETOR KIT | 1 | | Incl.5 | | |
| | 5 | 247867 | CARBURETOR PARTS KIT | 1 | 5 | | | |
| | 6 | 247864 | FUEL HOSE/FILTER KIT | 1 | 5 | | | |

TPP2630
2. MAIN BODY



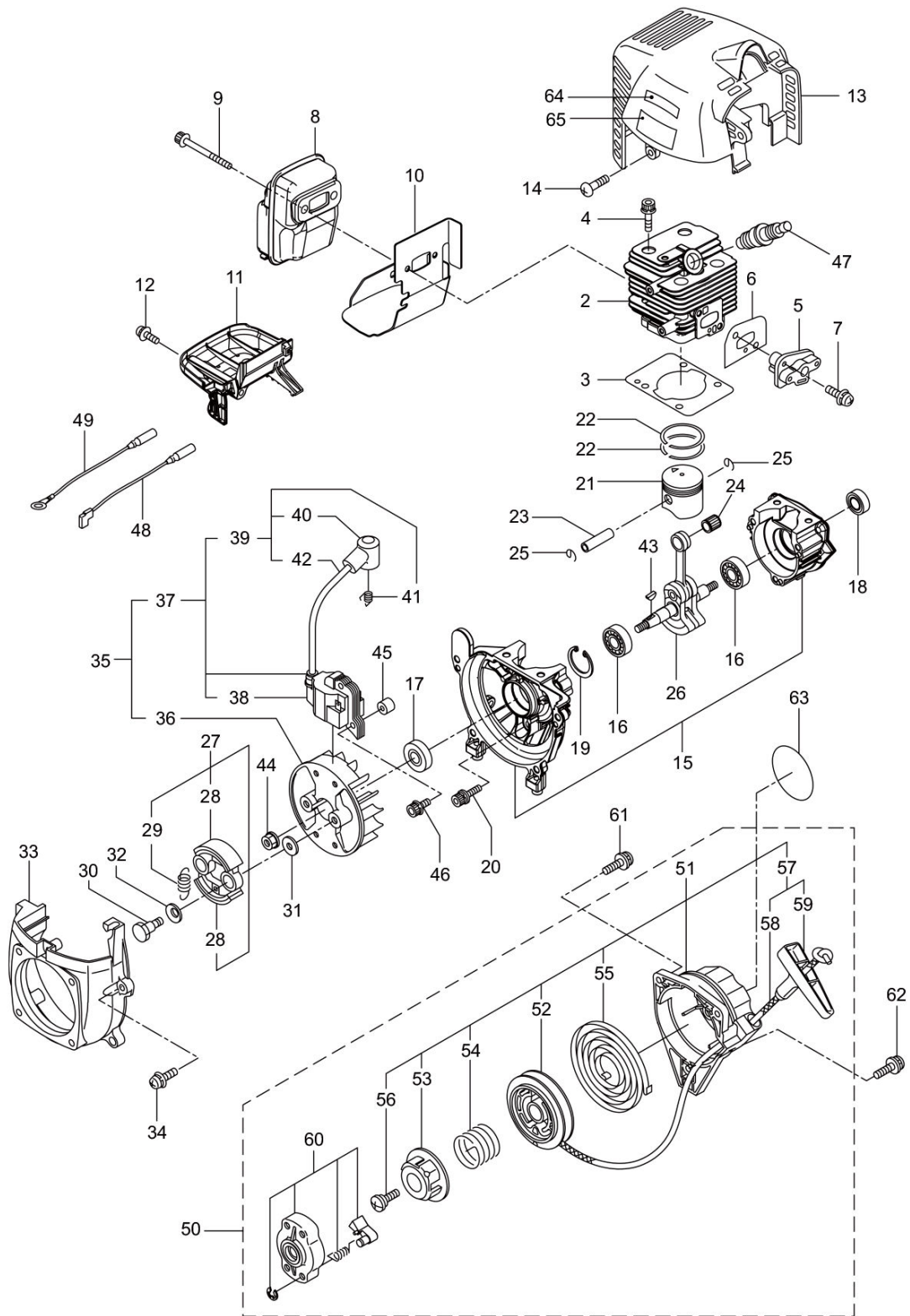
| Status | Position | Parts Number | Parts Name | Unit Quantity | Lot Order Quantity | Remarks | Maker code |
|--------|----------|--------------|---------------------------------|---------------|--------------------|---------------|------------|
| | 1 | 364588 | TPP2630(EU01) | 1 | | | |
| | 2 | 224201 | CLUTCH CASE ASSY | 1 | | Incl.3-11 | |
| | 3 | 214592 | HOUSING | 1 | | | |
| | 4 | 214161 | BEARING 6000ZZ | 2 | | #6000ZZ | |
| | 5 | 054676 | RING SNAP | 1 | 5 | #26 | |
| | 6 | 560309 | RUBBER | 1 | | | |
| | 7 | 214163 | WASHER | 1 | | | |
| | 8 | 092033 | SCREW | 4 | 10 | M5x15 | |
| | 9 | 214593 | PIPE BRACKET | 1 | | | |
| | 10 | 220551 | CLUTCH DRUM | 1 | | | |
| | 11 | 014210 | SNAP RING | 1 | 5 | #10 | |
| | 12 | 261246 | CAP SCREW | 1 | 5 | M5x25 | |
| | 13 | 235078 | Throttle Lever Assy (235078) | 1 | | | |
| | 14 | 234694 | SWIVEL HANGING BRACKET | 1 | | Incl.15,16 | |
| | 15 | 234702 | CAP SCREW | 1 | | M5x20 | |
| | 16 | 126993 | NUT | 1 | 5 | M5 | |
| | 17 | 237254 | SHAFT ASSY FOR TPP27 | 1 | | Incl.18-36 | |
| | 18 | 237574 | GUIDE PIPE ASSY | 1 | | | |
| | 19 | 237575 | DRIVE SHAFT | 1 | | | |
| | 20 | 237576 | SET COLOR | 1 | | | |
| | 21 | 237577 | CAP SCREW | 1 | | M5x6 | |
| | 22 | 055186 | C-SHAPED SNAP RING 12 | 1 | 5 | #12 | |
| | 23 | 237578 | BUSH HOLDER | 6 | | | |
| | 24 | 237579 | DRIVE BUSH | 5 | | | |
| | 25 | 241553 | SPRING | 6 | | 1.2x28.3- | |
| | 26 | 233364 | SCREW | 1 | | 4x8 | |
| | 27 | 237581 | MAIN PIPE ASSY | 1 | | | |
| | 28 | 237582 | SLIDE HOLDER | 1 | | | |
| | 29 | 237583 | SLEEVE | 1 | | | |
| | 30 | 237584 | SLIDE HOLDER | 1 | | | |
| | 31 | 237585 | CUSHION TUBE | 1 | | | |
| | 32 | 237586 | KNOB | 1 | | | |
| | 33 | 237587 | BOLT | 1 | | M8x40 | |
| | 34 | 237588 | WASHER | 1 | | 8.7x17.6xt1.6 | |
| | 35 | 237589 | CAP SCREW | 1 | | M6x25 | |
| | 36 | 237590 | CAP SCREW | 1 | | M5x10 | |
| | 37 | 238160 | PLATE | 1 | | TPP2630 | |
| | 38 | 238749 | MARK | 1 | | | |
| | 39 | 231264 | LABEL | 1 | | 111dBA | |
| | 40 | 261250 | CAP SCREW | 4 | 5 | M5x20 | |
| | 41 | 220533 | SHOULDER STRAP | 1 | | I I 42 | |
| | 42 | 231657 | HOOK | 1 | | | |

TPP2630
3. PRUNER HEAD



| Status | Position | Parts Number | Parts Name | Unit Quantity | Lot Order Quantity | Remarks | Currency | Price | Maker code |
|--------|----------|--------------|----------------------|---------------|--------------------|--------------|----------|-------|------------|
| | 1 | 234082 | PRUNER HEAD ASSY | 1 | | Incl.2-35 | JPY | 11449 | |
| | 2 | 231855 | GEAR CASE ASSY | 1 | | | JPY | 1174 | |
| | 3 | 227990 | BEARING #608 | 1 | | #608 | JPY | 125 | |
| | 4 | 241692 | GEAR SHAFT | 1 | | | JPY | 722 | |
| | 5 | 231857 | GEAR | 1 | | | JPY | 668 | |
| | 6 | 231858 | WORM GEAR | 1 | | | JPY | 367 | |
| | 7 | 231859 | PINION SHAFT | 1 | | | JPY | 687 | |
| | 8 | 227992 | BEARING 609 | 1 | | #609 | JPY | 143 | |
| | 9 | 227993 | BEARING #609Z | 1 | | #609Z | JPY | 165 | |
| | 10 | 228477 | C-SHAPED RING | 1 | | #9 | JPY | 10 | |
| | 11 | 140270 | C-SHAPED SNAP RING | 1 | | #24 | JPY | 21 | |
| | 12 | 231860 | OILER | 1 | | | JPY | 850 | |
| | 13 | 231861 | SEAL | 1 | | | JPY | 58 | |
| | 14 | 231862 | SCREW | 2 | | | JPY | 14 | |
| | 15 | 231863 | OIL PIPE | 1 | | | JPY | 86 | |
| | 16 | 231864 | STRAINER | 1 | | | JPY | 191 | |
| | 17 | 234084 | GEARCASE B | 1 | | | JPY | 1260 | |
| | 18 | 227991 | BEARING 6001 2RS | 1 | | #6001DDU | JPY | 261 | |
| | 19 | 231866 | SPROCKET | 1 | | | JPY | 210 | |
| | 20 | 241693 | WASHER (SPROCKET) | 1 | | | JPY | 285 | |
| | 21 | 241694 | E-RING | 1 | | BETW-8 | JPY | 56 | |
| | 22 | 125588 | BOLT | 1 | | M6x30 | JPY | 27 | |
| | 23 | 234085 | SCREW | 1 | | M4x30 | JPY | 14 | |
| | 24 | 231870 | ADJUSTER | 1 | | | JPY | 77 | |
| | 25 | 231871 | BOLT | 4 | | M5x12 | JPY | 20 | |
| | 26 | 234086 | OIL TANK ASSY | 1 | | Incl.27 | JPY | 668 | |
| | 27 | 231873 | BREATHER | 1 | | | JPY | 39 | |
| | 28 | 231874 | TANK CAP ASSY | 1 | | | JPY | 287 | |
| | 29 | 092580 | BOLT | 2 | 10 | M5x12 | JPY | 10 | |
| | 30 | 231875 | CHAIN COVER COMPLETE | 1 | | | JPY | 430 | |
| | 31 | 126756 | FLANGE NUT | 1 | 5 | M6 | JPY | 10 | |
| | 32 | 089819 | BOLT | 1 | 10 | M6x8 | JPY | 32 | |
| | 33 | 261246 | CAP SCREW | 1 | 5 | M5x25 | JPY | 20 | |
| | 34 | 215993 | CAP SCREW | 1 | | M5x10 | JPY | 14 | |
| | 35 | 241691 | GEAR SHAFT SET | 1 | | Incl.4,20,21 | JPY | 1168 | |
| | 36 | 234088 | GUIDE BAR | 1 | | | JPY | 5325 | |
| | 37 | 289536 | CHAIN | 1 | | | JPY | 2002 | 806170MBP |
| | 38 | 234087 | CHAIN COVER | 1 | | | JPY | 229 | |

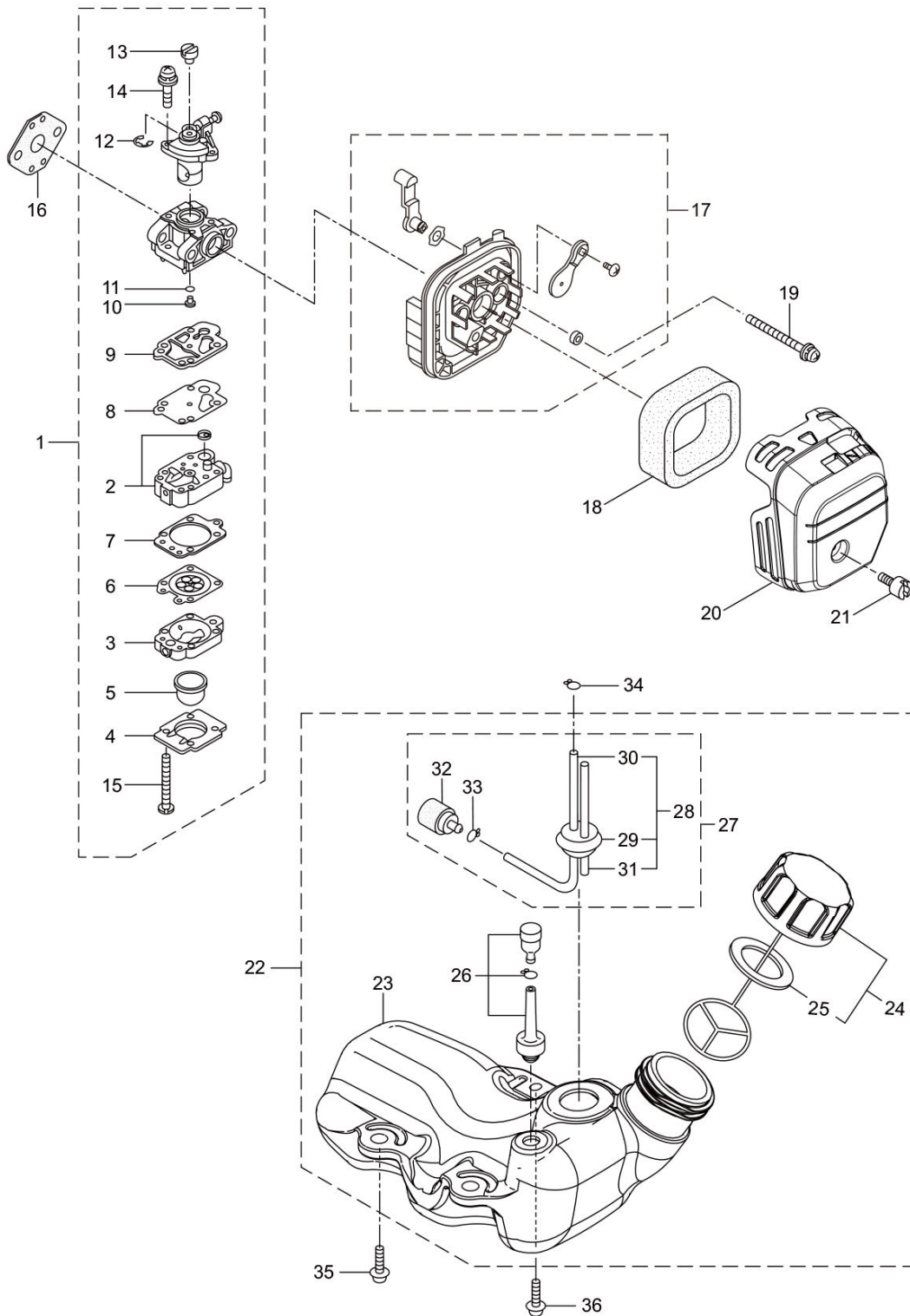
TPP2630
4. ENGINE



| Status | Position | Parts Number | Parts Name | Unit Quantity | Lot Order Quantity | Remarks | Currency | Price | Maker code |
|--------|----------|--------------|----------------------------------|---------------|--------------------|----------------|----------|-------|------------|
| | 1 | 859888 | | 1 | | EE262/03 | JPY | 0 | |
| | 2 | 273153 | CYLINDER | 1 | | | JPY | 2412 | |
| | 3 | 282330 | GASKET | 1 | 5 | | JPY | 36 | |
| | 4 | 261250 | CAP SCREW | 4 | 5 | M5x20 | JPY | 20 | |
| | 5 | 282579 | INSULATOR | 1 | | | JPY | 348 | |
| | 6 | 267049 | GASKET | 1 | 5 | | JPY | 25 | |
| | 7 | 269826 | SCREW | 2 | 5 | M5x25 | JPY | 28 | |
| | 8 | 246656 | MUFFLER ASSY | 1 | | | JPY | 2759 | |
| | 9 | 266402 | CAP SCREW | 2 | 5 | M5x55 | JPY | 61 | |
| | 10 | 247074 | GASKET | 1 | | | JPY | 357 | |
| | 11 | 246083 | UNDER COVER | 1 | | | JPY | 126 | |
| | 12 | 269827 | SCREW | 1 | 5 | M5x16 | JPY | 14 | |
| | 13 | 247230 | | 1 | | | JPY | 0 | |
| | 14 | 280144 | TAPPING SCREW | 1 | 5 | 4X16 | JPY | 14 | |
| | 15 | 563680 | CRANKCASE | 1 | | | JPY | 1563 | |
| | 16 | 280488 | BEARING 6001C3 | 2 | | PPL 6001 | JPY | 477 | |
| | 17 | 261492 | OIL SEAL | 1 | | ISCD12287 | JPY | 80 | |
| | 18 | 261386 | OIL SEAL | 1 | | ISCD12227 | JPY | 78 | |
| | 19 | 055185 | SNAP RING #28 | 1 | 5 | H28 | JPY | 19 | |
| | 20 | 261612 | CAP SCREW | 3 | | M5x30 | JPY | 23 | |
| | 21 | 273155 | PISTON | 1 | | | JPY | 852 | |
| | 22 | 261496 | PISTON RING | 2 | | (2)Required | JPY | 177 | |
| | 23 | 261497 | PISTON PIN | 1 | | | JPY | 94 | |
| | 24 | 261037 | BEARING NEEDLE KBK8X11X11.8X1 | 1 | | KBK8x11x11.8x1 | JPY | 243 | |
| | 25 | 261576 | CLIP PISTON | 2 | | | JPY | 17 | |
| | 26 | 277939 | CRANK SHAFT | 1 | | | JPY | 2635 | |
| | 27 | 264503 | CLUTCH ASSY | 1 | | Incl.28,29 | JPY | 803 | |
| | 28 | 264504 | CLUTCH SHOE | 2 | | (2)Required | JPY | 477 | |
| | 29 | 263614 | SPRING CLUTCH | 1 | | | JPY | 127 | |
| | 30 | 264505 | BOLT | 2 | | | JPY | 78 | |
| | 31 | 261189 | WASHER | 2 | 5 | 6x16.5xt1.2 | JPY | 14 | |
| | 32 | 261777 | WAVE WASHER | 2 | 5 | | JPY | 31 | |
| | 33 | 283386 | FAN COVER | 1 | | | JPY | 684 | |
| | 34 | 269831 | SCREW | 4 | 5 | M5x20 | JPY | 14 | |
| | 35 | 282692 | MAGETO ASSY | 1 | | Incl.36-42 | JPY | 4339 | |
| | 36 | 261356 | ROTOR | 1 | | | JPY | 2001 | |
| | 37 | 282693 | IGNITION COIL ASSY | 1 | | Incl.38-42 | JPY | 2316 | |
| | 38 | 267401 | COIL | 1 | | | JPY | 2230 | |
| | 39 | 282694 | SPARK PLUG WIRE ASSY | 1 | | Incl.40-42 | JPY | 654 | |
| | 40 | 261074 | PLUG BOOT | 1 | | | JPY | 116 | |
| | 41 | 261075 | CONNECTOR | 1 | | | JPY | 67 | |
| | 42 | 282695 | SPARK PLUG WIRE | 1 | | | JPY | 45 | |
| | 43 | 261076 | WOODRUFF KEY 3X10 | 1 | 5 | 3x10 | JPY | 50 | |

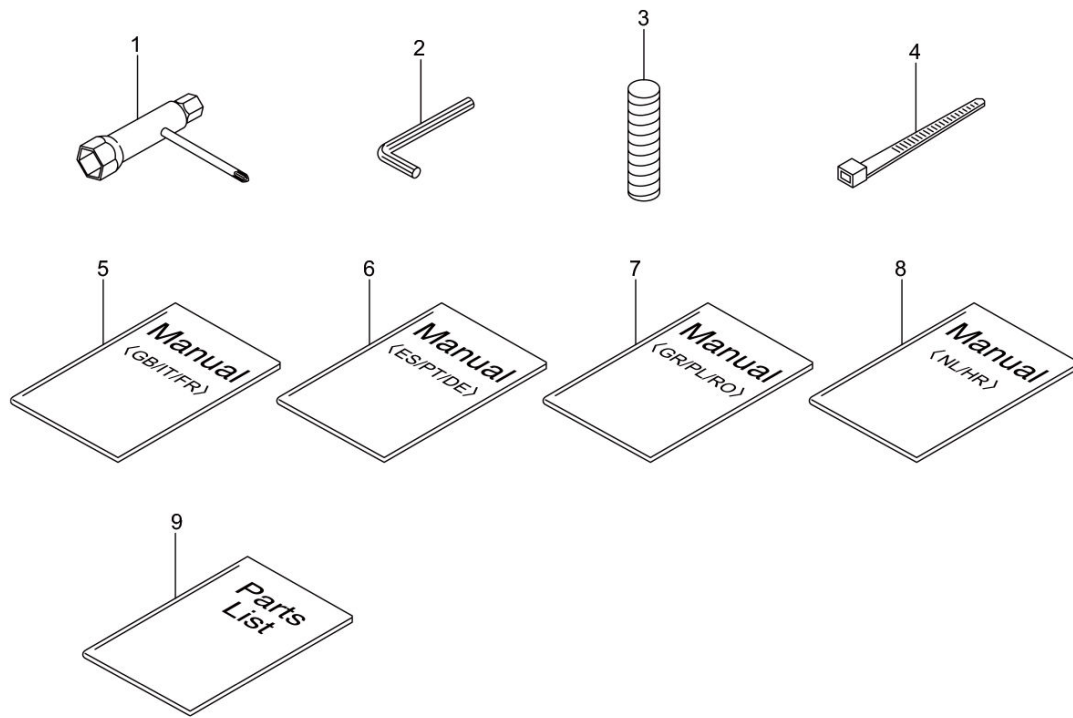
| Status | Position | Parts Number | Parts Name | Unit Quantity | Lot Order Quantity | Remarks | Currency | Price | Maker code |
|--------|----------|--------------|---------------------|---------------|--------------------|------------|----------|-------|------------|
| | 44 | 261417 | NUT ROTOR M8 | 1 | 5 | M8 | JPY | 17 | |
| | 45 | 280381 | SPACER | 2 | 5 | | JPY | 25 | |
| | 46 | 261256 | BOLT | 2 | 5 | M4x25 | JPY | 20 | |
| | 47 | 288264 | SPARK PLUG | 1 | | BPMR8Y | JPY | 789 | |
| | 48 | 267492 | LEAD | 1 | | 130L | JPY | 78 | |
| | 49 | 282880 | WIRE LEAD | 1 | | | JPY | 64 | |
| | 50 | 282404 | RECOIL STARTER ASSY | 1 | | Incl.51-60 | JPY | 1560 | |
| | 51 | 282405 | RECOIL STARTER ASSY | 1 | | Incl.52-59 | JPY | 1243 | |
| | 52 | 283411 | RECOIL REEL | 1 | | | JPY | 287 | |
| | 53 | 283412 | CAM PLATE | 1 | | | JPY | 144 | |
| | 54 | 280930 | DAMPER SPRING | 1 | | | JPY | 249 | |
| | 55 | 280931 | SPIRAL SPRING | 1 | | | JPY | 384 | |
| | 56 | 267213 | SCREW | 1 | | | JPY | 56 | |
| | 57 | 280932 | ROPE ASSY | 1 | | Incl.58,59 | JPY | 257 | |
| | 58 | 280933 | STARTER ROPE | 1 | | | JPY | 116 | |
| | 59 | 267219 | STARTER GRIP | 1 | | | JPY | 39 | |
| | 60 | 280934 | STARTER PULLEY ASSY | 1 | | | JPY | 317 | |
| | 61 | 280489 | SCREW | 2 | 5 | M4x20 | JPY | 14 | |
| | 62 | 269833 | SCREW | 1 | 5 | M4x16 | JPY | 23 | |
| | 63 | 276736 | LABEL | 1 | | | JPY | 414 | |
| | 64 | 284587 | LABEL | 1 | | | JPY | 53 | |
| | 65 | 286122 | LABEL | 1 | | MARUYAMA | JPY | 53 | |

TPP2630
 5. CARBURETOR, FUEL TANK



| Status | Position | Parts Number | Parts Name | Unit Quantity | Lot Order Quantity | Remarks | Currency | Price | Maker code |
|--------|----------|--------------|---------------------|---------------|--------------------|------------|----------|-------|------------|
| | 1 | 276328 | CARBURETOR | 1 | | Incl.2-15 | JPY | 2701 | |
| | 2 | 281597 | BODY | 1 | | | JPY | 1853 | |
| | 3 | 262991 | PURGE BODY | 1 | | | JPY | 497 | |
| | 4 | 262992 | COVER | 1 | | | JPY | 215 | |
| | 5 | 261874 | PRIMER | 1 | | | JPY | 188 | |
| | 6 | 283905 | DIAPHRAGM METERRING | 1 | | | JPY | 695 | |
| | 7 | 262993 | GASKET | 1 | | | JPY | 166 | |
| | 8 | 262994 | DIAPHRAGM | 1 | | | JPY | 262 | |
| | 9 | 282576 | GASKET | 1 | | | JPY | 144 | |
| | 10 | 285030 | MAIN JET | 1 | | | JPY | 397 | |
| | 11 | 261871 | O-RING | 1 | | | JPY | 100 | |
| | 12 | 261876 | RING | 1 | | | JPY | 47 | |
| | 13 | 261658 | SWIVEL | 1 | | | JPY | 174 | |
| | 14 | 264682 | SCREW | 2 | | | JPY | 67 | |
| | 15 | 262996 | SCREW | 4 | 5 | | JPY | 50 | |
| | 16 | 261864 | GASKET | 1 | 5 | | JPY | 36 | |
| | 17 | 248152 | CASE ASSY | 1 | | | JPY | 229 | |
| | 18 | 269030 | ELEMENT | 1 | | | JPY | 53 | |
| | 19 | 281777 | SCREW | 2 | 5 | M5x55 | JPY | 25 | |
| | 20 | 246542 | CLEANER COVER | 1 | | | JPY | 58 | |
| | 21 | 269031 | CAP SCREW | 1 | 5 | M5x12 | JPY | 17 | |
| | 22 | 276310 | TANK ASSY | 1 | | Incl.23-33 | JPY | 1767 | |
| | 23 | 273467 | FUEL TANK | 1 | | | JPY | 557 | |
| | 24 | 275306 | FUEL TANK CAP ASSY | 1 | | Incl.25 | JPY | 171 | |
| | 25 | 274875 | PACKING | 1 | | | JPY | 94 | |
| | 26 | 261696 | BREATHER ASSY | 1 | | | JPY | 326 | |
| | 27 | 265752 | FUEL PIPE ASSY | 1 | | Incl.28-33 | JPY | 480 | |
| | 28 | 264031 | FUEL PIPE ASSY | 1 | | Incl.29-31 | JPY | 204 | |
| | 29 | 261115 | GROMMET | 1 | | | JPY | 122 | |
| | 30 | 261690 | FUEL PIPE | 1 | | 160L | JPY | 47 | |
| | 31 | 263038 | RETURN PIPE | 1 | | 3x6x85L | JPY | 45 | |
| | 32 | 277887 | FILTER ASSY | 1 | | | JPY | 180 | |
| | 33 | 261117 | CLIP | 1 | | | JPY | 28 | |
| | 34 | 261117 | CLIP | 1 | | | JPY | 28 | |
| | 35 | 269828 | SCREW | 2 | 5 | M5x16 | JPY | 14 | |
| | 36 | 281208 | SCREW | 1 | 5 | M5x16 | JPY | 25 | |

TPP2630
6. ACCESSORIES



| Status | Position | Parts Number | Parts Name | Unit Quantity | Lot Order Quantity | Remarks | Currency | Price | Maker code |
|--------|----------|--------------|--------------------|---------------|--------------------|-----------|----------|-------|------------|
| | 1 | 219968 | COMBI BOX SPANNER | 1 | | 10x19x(-) | JPY | 191 | |
| | 2 | 219432 | WRENCH | 1 | | 4mm | JPY | 39 | |
| | 3 | 234954 | COLGATE TUBE | 1 | | 60L | JPY | 276 | |
| | 4 | 234955 | BAND | 1 | | 3.4x145L | JPY | 23 | |
| | 5 | 238164 | INSTRUCTION MANUAL | 1 | | GB/IT/FR | JPY | 0 | |
| | 6 | 238165 | | 1 | | ES/PT/DE | JPY | 0 | |
| | 7 | 238166 | INSTRUCTION MANUAL | 1 | | GR/PL/RO | JPY | 0 | |
| | 8 | 238167 | | 1 | | NL/HR | JPY | 0 | |
| | 9 | 524201 | PARTS LIST | 1 | | TPP2630 | JPY | 0 | |